

# SCHNAPPKAPPE 75MM

SNAP CAP 75MM



Passend für: A-Type (Flachfitting), M-Type (Kombifitting)  
Suitable for: A-Type (flat fitting), M-Type (combination fitting)



## PRODUKTEIGENSCHAFTEN

Material: Polystyrol  
Außendurchmesser: 82,07<sup>+0,2</sup>mm  
Innendurchmesser: 74,50<sup>+0,2</sup>mm  
Kappenhöhe: 16,50<sup>+0,2</sup>mm  
Farbe der Kappe: Diverse  
Farbe des Druckes: Diverse  
Bedruckbarer Bereich: max. Ø 60,00mm

## PRODUCT FEATURES

Material: Polystyrene  
Overall external diameter: 82,07<sup>+0,2</sup>mm  
Overall internal diameter: 74,50<sup>+0,2</sup>mm  
Cap height: 16,50<sup>+0,2</sup>mm  
Cap colour: Various  
Printing Colour: Various  
Printable area: max. Ø 60,00mm

## SCHNAPPKAPPEN VON SIGL

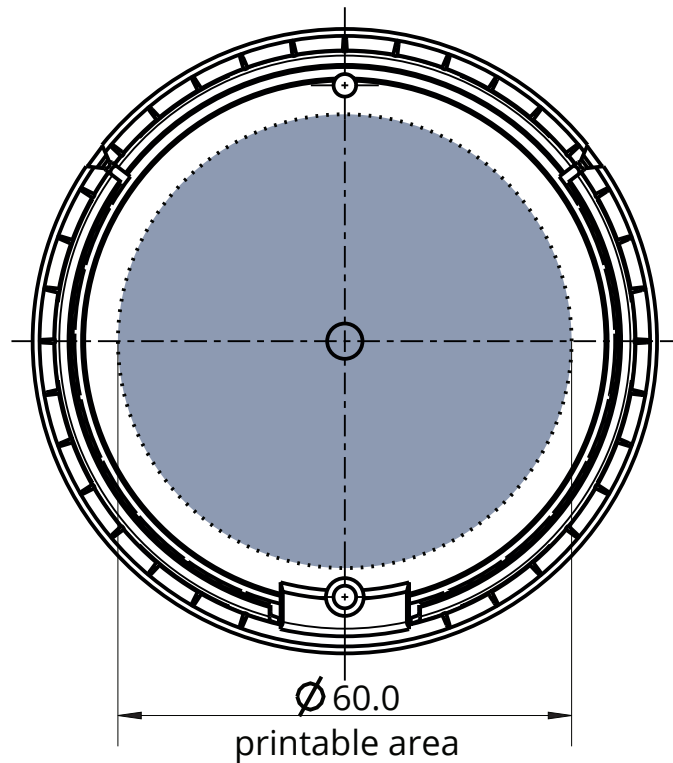
Die Schnappkappe für Flachfitting besteht aus umweltfreundlichem und schlagfestem Polystyrol und stellt einen sicheren Schutz gegen Manipulation Ihrer Fässer dar. Die Schnappkappe kann in 17 verschiedenen Farben und auf Wunsch mit einem einfarbigen, individuell gestaltbaren Druck geliefert werden - ideal um Ihre Marke zu platzieren. Zudem kann bei der Abfüllung mittels Inkjet-Verfahren das Abfüll- oder Mindesthaltbarkeitsdatum auf die Kappen aufgedruckt werden. Darüber hinaus sind alle Kappen zu 100% recyclebar.

## SNAP CAPS FROM SIGL

The snap cap for flat fitting is made of environmentally friendly and impact-resistant polystyrene and provides reliable protection against tampering with your barrels. The snap cap can be supplied in 17 different colors and, if desired, with a monochrome, individually customizable print - ideal for placing your brand. In addition, when filling using the inkjet process, the filling or best-before date can be printed on the caps. In addition, all caps are 100% recyclable.

# SNAP CAP 75MM

Instructions for creating your print file



## OUR TIPS FOR ERROR-FREE DESIGN OF YOUR PRINT DATA

### GENERAL

Background images, gradients, and multi-colored graphics cannot be printed. In terms of production, only a single-color print can be created.

### COLOR MODE

The color mode of your print data must be CMYK. Otherwise a (slightly) changed overall visual impression may arise after the printing process.  
(Data in RGB color mode are automatically converted to CMYK by us.)

### FONTS/LINES

The minimum size of your fonts should not be less than 6 pt and lines should not be less than 0.15 mm (positive) or 0.3 mm (negative). Please make sure to embed the fonts and avoid transparencies. If the selected fonts are smaller, it can happen that the font is more difficult to read.

### FILE FORMAT

Save your document as an editable PDF document. After submitting your data, we will send you a print preview for approval. Only after your approval will the order for the creation of the printing block be placed.